

CASTO SISTEMI

INFORMATION TECHNOLOGY

*An Industrial Grade
Exquisite Foldable POS Terminal*



Ultra Slim and small footprint



Ventless&Fanless design with strong cooling system

- 30% increase in performance
- Ventless&Fanless design for harsh environment
- Quiet-running



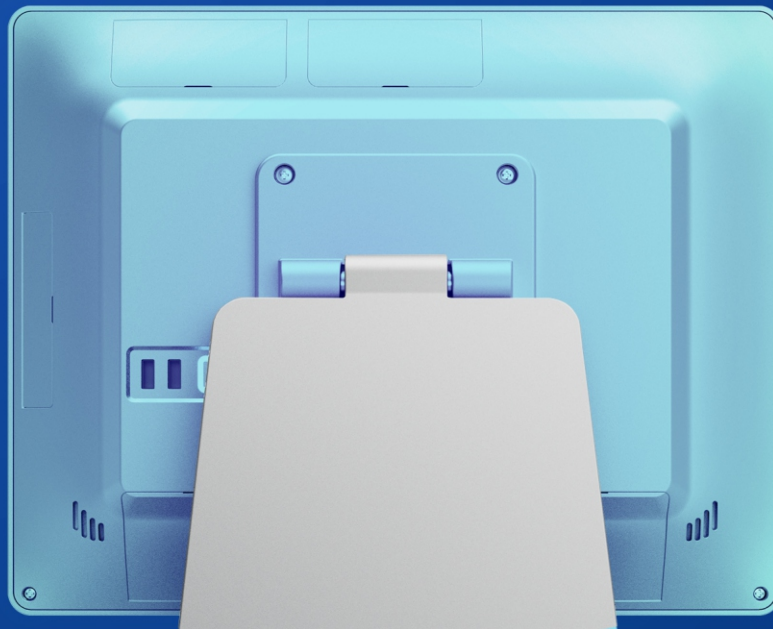
Oil-proof



Fanless



Dust-proof



Removable 2.5" SSD for quick swap



Ruggedized full aluminum alloy housing

Die-cast aluminum material, extremely robust and durable



Modular design for convenient and flexible collocation



2nd displays



VFD2*20



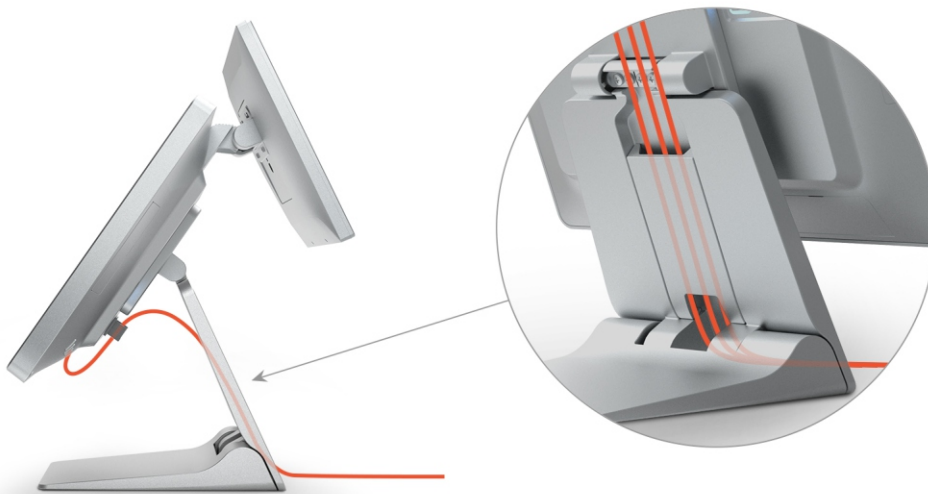
MSR/ RFID/ NFC/ iButton

Foldable multi-position dual hinge stand for unparalleled flexibility

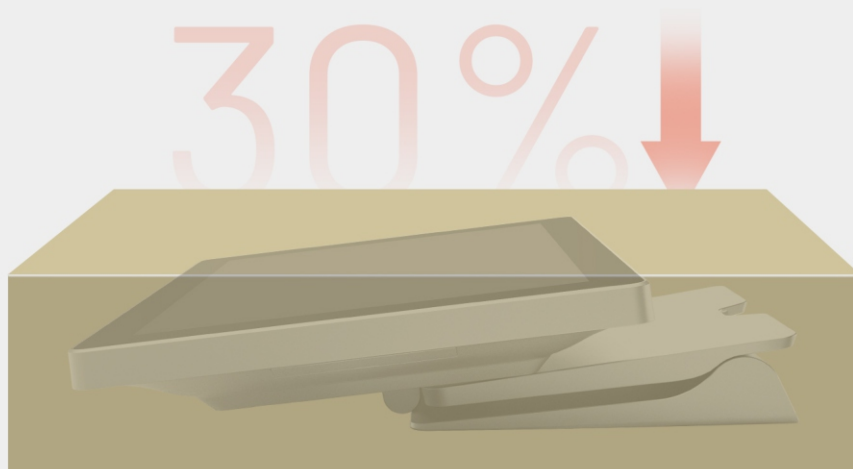
Flexible angle & height adjustment, adapt to various store layouts



Intelligent cable management



Packaging volume 30% off



		Specification		
Main Board	Processor	8th generation Core i5	Intel Celeron J6412	11th generation Core i3
	OS Support	Windows 10/11/POS Ready/Linux		
Display & Touch	Memory	DDR4 4GB(Max.32GB)		
	Disk	2.5" SATA SSD 64G(Max.1TB)		
	LCD Size	15" TFT LCD (LED backlight)		
	Resolution	1024(RGB) x 768		
	Touch	True Flat Projected Capacitive Touch Screen		
I/O & Expansion	DC-in	1	1	1
	HDMI	1	1	1
	USB port	2 x USB 3.0 4 x USB 2.0 (2 on the shell)	4 x USB3.0 2 x USB 2.0 (2 on the shell)	2 x USB 3.0 4 x USB 2.0 (2 on the shell)
	COM port	2(1 internal for rear display)	2*DB9, 1*RJ50	2(1 internal for rear display)
	VGA port	1	/	1
	AUDIO in/out	1	1	1
	Power Switch	1	1	1
Wall Mount	Main Screen	VESA 100 x 100mm		
	Base	VESA 100 x 100mm		
Optional Accessories	Customer Display	VFD 2 x 20 digits		
		12.1" 2nd display(1280*800)		
		15" 2nd display(1024*768)		
	MSR	3-Track MSR (USB)		
	RFID/NFC	RFID/NFC(USB)		
	iButton	iButton (USB)		
	Fingerprint	Fingerprint reader (USB)		
	Speaker	2*3W speaker		
	WIFI	Dual-band WIFI		
Compliance	Certifications	CE, CB, RoHs, FCC, UKCA		
	IP ratings	IP65 on front panel		
Environment	Operating Temperature	0°C ~ 50°C		
	Storage Temperature	-20°C ~ 60°C		
Physical Parameter	Packaging Dimension	42cm*18cm*44cm		
	Gross Weight	7KGS		

CASTO SISTEMI

INFORMATION TECHNOLOGY